

Completely Sealed IP65/NEMA4X BOX Mercury i7

NCS Industrial

Committed to excellence since 1975.

PCs

Industrial and Marine Systems

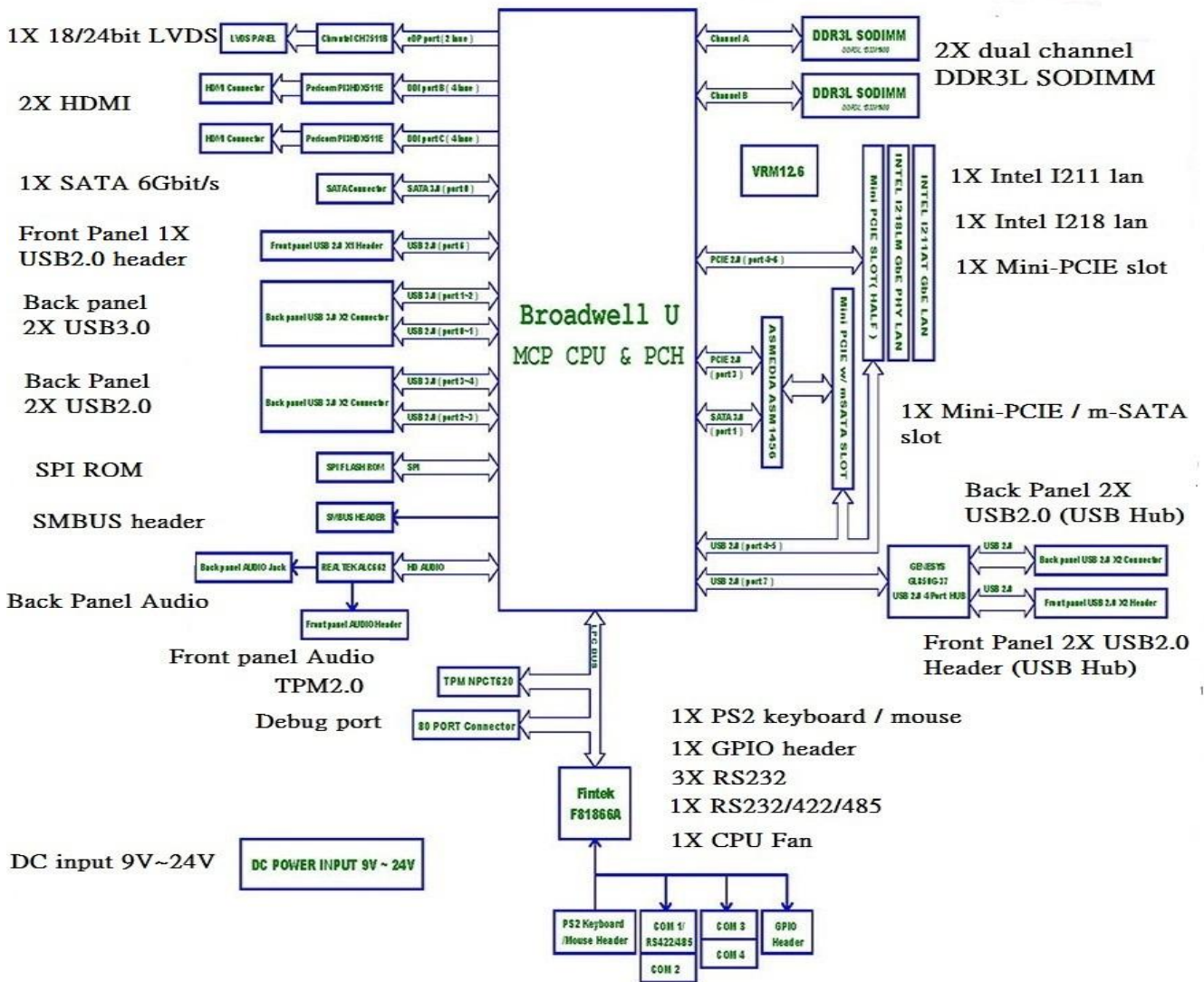
For industrial, military and Marine applications



***Rugged Completely Sealed IP65/NEMA4X BOX Mercury i7-5650U™ 3.2 GHz. fanless
PS 85-265 Vac / +12 Vdc / + 24 Vdc / - 48 Vdc, Op.Temp. -10°C to +65°C
Small dimensions of box : W=200 (9.84") x H=66 (1.5U / 2.6") x D=250mm (9.84")***

***Your problem is our challenge. When Your mission is critical
Make your life simpler by utilizing NCS' 40 plus years of experience.
All of our Systems are designed to operate in very hostile environments.
Systems available with CPUs Atom 270, N2600 and i7-4700EQ (4c)***

Block Diagram



Available one 19"/1.5U alluminum bezel with holes for to mount two BOX Mercury i7 on 19" rack

Features

	Description	
Model	<ul style="list-style-type: none"> Rugged Completely Sealed IP65/NEMA4X BOX Mercury i7-5650U 	
Design SBC	3.5" SBC " (102mm X 146mm) (4.00" x 5.76")	
System Processor	Processor	Broadwell i7-5650U 3.2 GHz / 4M Cache (9.5W)
	CHIP SET	SoC integrated inside the CPU
	BIOS	AMI 64Mb flash ROM
Memory	Max. Capacity	Up to 16GB
	Socket	2 x SO-DIMM DDR3L 1600 / 1333MHz Dual CH
Display	CPU graphic	Intel® HD Graphics 6000
	Resolution	HDMI 1.4a Up to 2560x1600@60Hz
	LVDS	24 bit, dual channel
	LVDS Resolution	Digital LVDS: Up to 1920 x 1080
Ethernet	Controller	I211AT + I218LM
	Interface	Dual Gigabit LAN 10/100/1000 Mbps
Audio	Controller	Realtek ALC662 HD CODEC - High Definition Audio
	Max. Data	6 GB/s
SATA III	Port	1
Expansion Slot	Mini-PCI-e	1 x full size (mSATA), 1 x half size Mini PCIe
	LVDS	1
	USB 2.0	5
	USB 3.0	4
	COM ports	4 (3 x RS-232, 1 x RS-232/422/485)
	Digital IO	8Bit GPIO (4 IN+4 OUT)
Rear I/O	USB 2.0	2
	USB 3.0	4
	LAN	2 (RJ-45)
	HDMI	2
Power SBC	2X2 connector	DC +12V Input (+9 to 24Vdc-in)
Power System	DC or AC in	+12Vdc / +24Vdc / -48Vdc / 110-220Vac
Watchdog Timer	Interval	Programmable 1~255 sec./min.
	Output	System reset
Environment	OperatingTemp	-10°C ~ 65°C (14°F ~ 149°F)
	Storage Temp	-20°C ~ 80°C (-4°F ~ 176°F)
	RH	5%~ 95% (non-condensing)
Form Factor	Dimension	W=200mm (9.84") x H=66mm (1.5U / 2.6") x D=250mm (9.84")

Copyright

The information in this document is subject to change without prior notice in order to improve reliability, design and function and does not represent a commitment on the part of the manufacturer. In no event will the manufacturer be liable for direct, indirect, special, incidental, or consequential damages arising out of the use or inability to use the product or documentation, even if advised of the possibility of such damages. This document contains proprietary information protected by copyright. All rights are reserved. No part of this manual may be reproduced by any mechanical, electronic, or other means in any form without prior written permission of the manufacturer.

TRADEMARKS

All registered trademarks and product names mentioned herein are used for identification purposes only and may be trademarks and/or registered trademarks of their respective owners.



N.C.S. Computer Group (since 1975) ISO 9001



N.C.S. Computer Italia S.p.A. (dal 1975) - Via Della Prava, 18 - 21010 Cardano al Campo (Varese) Italia
N.C.S. Group - società italiana, fondata nel 1975. Progetta e produce computers e sistemi per applicazioni industriali, militari (non armi), marine ed avioniche.
 Registro Imprese di Varese/C.F./ P.IVA 01734580127 - cap. soc. € 52.000,00 i.v. - Rea C.C.I.A.A. di Varese n. 204521
 Tel +39 0331-263975 n.a. - sales@ncscomputer.191.it - ncsgroup@pcert.postecent.it - sales@ncs-computer.com - www.ncs-computer.com
N.C.S. Computer North America Inc. (since 1975) - P.O. BOX 21032 RPO MEADOWVALE, Mississauga - ONTARIO - CANADA
 Ph. +001 416-543-2826 peter@ncs-computer.com - www.ncs-computer.com
N.C.S. Group, was founded in 1975, designs and manufactures computers and systems for Industrial, Military (not weapons), Marine and Avionic automation markets.